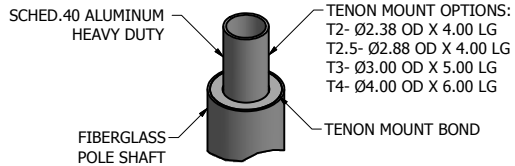
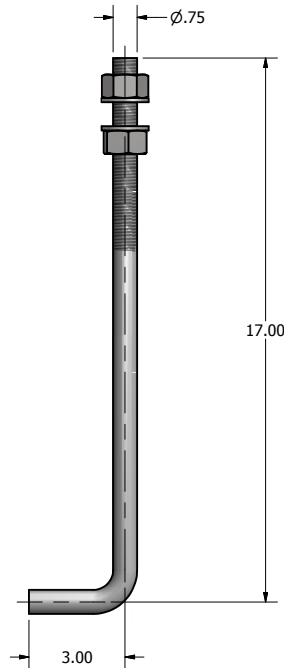


DRILL MOUNT OPTIONS



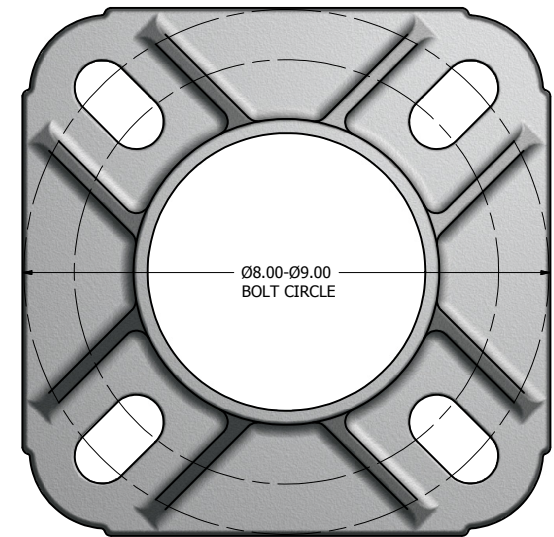
TENON MOUNT OPTIONS



Ø.75 X 20.00 ANCHOR BOLT

NO.		POLE SHAFT SPECIFICATIONS						
1.		THE POLE SHAFT SHALL BE CONSTRUCTED OF CONTINUOUS FIBERGLASS FILAMENT COMBINED WITH A THERMOSETTING POLYESTER RESIN. THE GLASS FILAMENT SHALL BE HELICALLY WOUND AT ALTERNATING HIGH AND LOW ANGLE LAYERS FOR MAXIMUM COMPRESSIVE AND BENDING STRENGTH. THE HAND HOLE AREA AND HARDWARE ATTACHMENT AREAS SHALL BE REINFORCED.						
2.		BASE CASTING IS 356 T6 CAST ALUMINUM. THE POLE SHAFT TELESCOPES INTO THE BASE CASTING AND IS CIRCUMFERENTIALLY WELDED TOP AND BOTTOM.						
3.		ANCHOR BOLTS ARE "L" FORMED RODS HAVING A MINIMUM YIELD STRENGTH OF 55,000 PSI FABRICATED FROM ASTM F1554 GR. 55, THE BOLTS ARE FULLY GALVANIZED PER ASTM A153 SPECIFICATIONS AND FURNISHED COMPLETE WITH 2 HEX NUTS AND 2 FLAT WASHERS.						
4.		FINISH SHALL BE A STANDARD COLOR UV RESISTANT CATALYZED URETHANE COATING.						
POLE DIMENSIONS								
POLE HGT. (FT.)		TOP DIA. (IN.)	BOTTOM DIA. (IN.)	MTG. HGT. (FT.)				
15'		3.50	5.60	15'				
BASE PLATE DIMENSIONS								
BOLT CIRCLE (IN.)		BOLT HOLE (IN.)		PLATE THK. (IN.)				
8.00-9.00		1.00		.75				
ANCHORT BOLT DIMENSIONS								
ANCHOR BOLT DIA. (IN.)		ANCHOR BOLT LENGTH (IN.)		HOOK LENGTH (IN.)				
.75		17.00		3.00				
ALLOWABLE WIND LOADING (SQ. FT.)								
WIND*	INDICATED EPA	80 MPH	90 MPH	100 MPH	110 MPH	120 MPH	130 MPH	140 MPH
EPA	-	7.3	5.2	3.8	2.7	2.0	1.7	1.5

*WITH 1.3 GUST FACTOR



BASE PLATE DETAIL VIEW



 P.O. Box 340
 Eastpointe, MI 48021
 P: (586) 771-4610 | F: (586) 771-5527
 www.lytepoles.com
a DWM company

DRAWN: L. GRUNIS	11/28/2017
CHECKED:	
REVISION:	DATE:
APPROVED:	
QUOTE:	
S.O.#	
REF:	SCALE: NONE

SOME GEOGRAPHICAL AREAS HAVE SPECIAL WIND CONDITIONS THAT CAN CREATE WIND INDUCED VIBRATIONS CAUSING A FATIGUE PROBLEM. NO METHOD HAS YET BEEN FOUND FOR PREDICTING DESTRUCTIVE LIGHTING POLE VIBRATION. THESE CONDITIONS ARE UNIQUE AND CANNOT BE GUARANTEED AGAINST, AND ARE THE RESPONSIBILITY OF A LOCAL SITE ENGINEER.		
TITLE:		
CATALOG:		
DWG NO: 315-15-35-AB	SIZE C	SHEET 1 OF 1

